

APPROVAL DRAWING

8-5-2021

DATE

This drawing is submitted for review and approval. Please sign and return to Kolberg-Pioneer, Inc. with any comments and/or additions.

Production will not begin until signed drawings are returned.

Shipping date will be affected if not approved within 5 days of above date.

8-5-2021

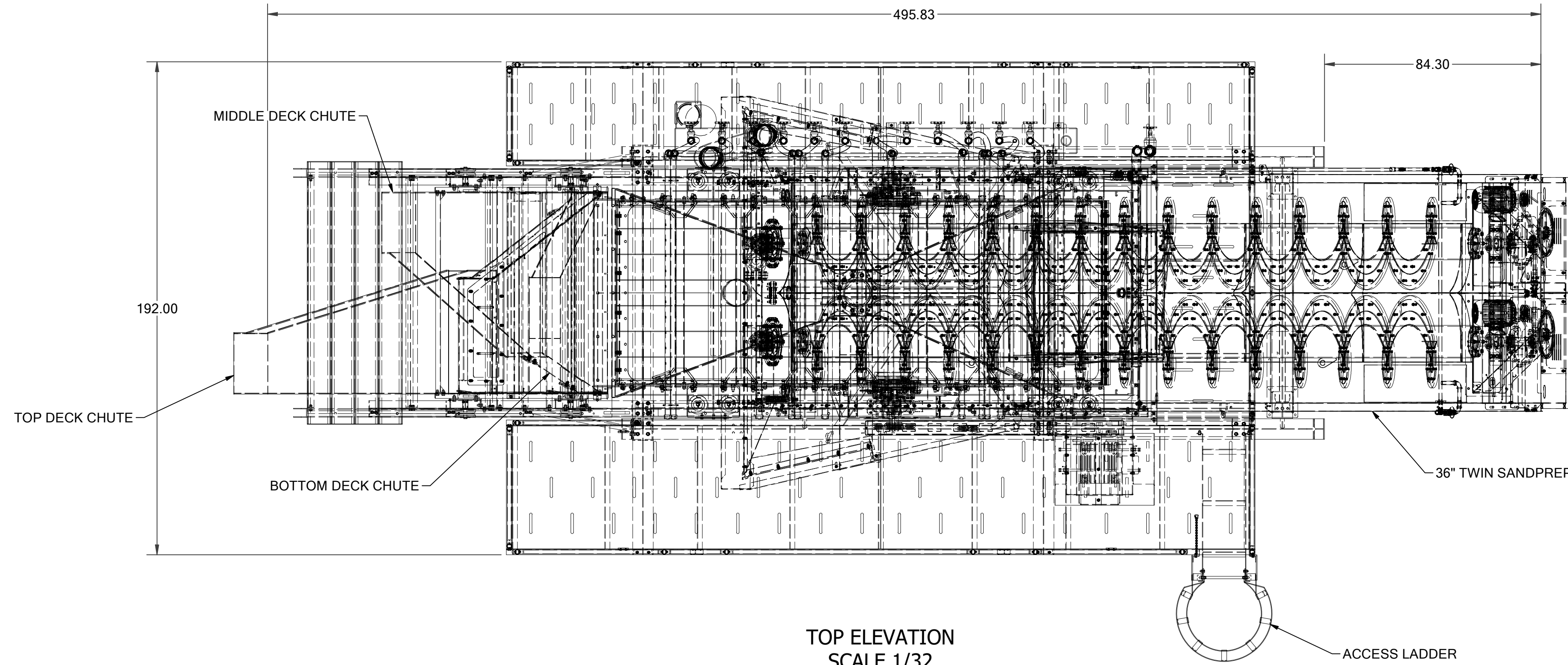
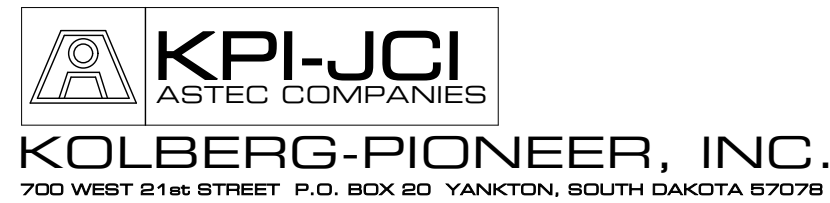
TBC Inc.

Adam Smith

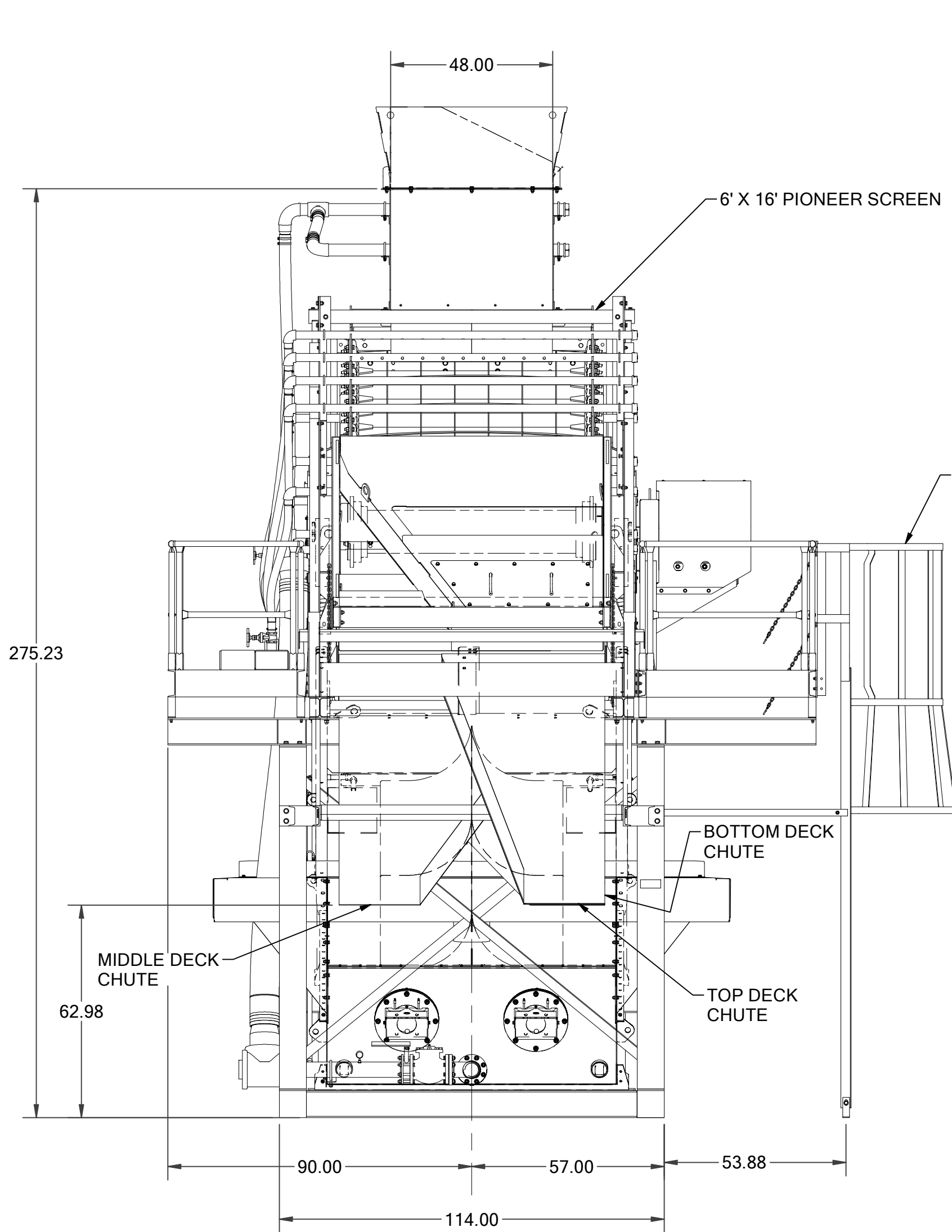
Approval Date

Company

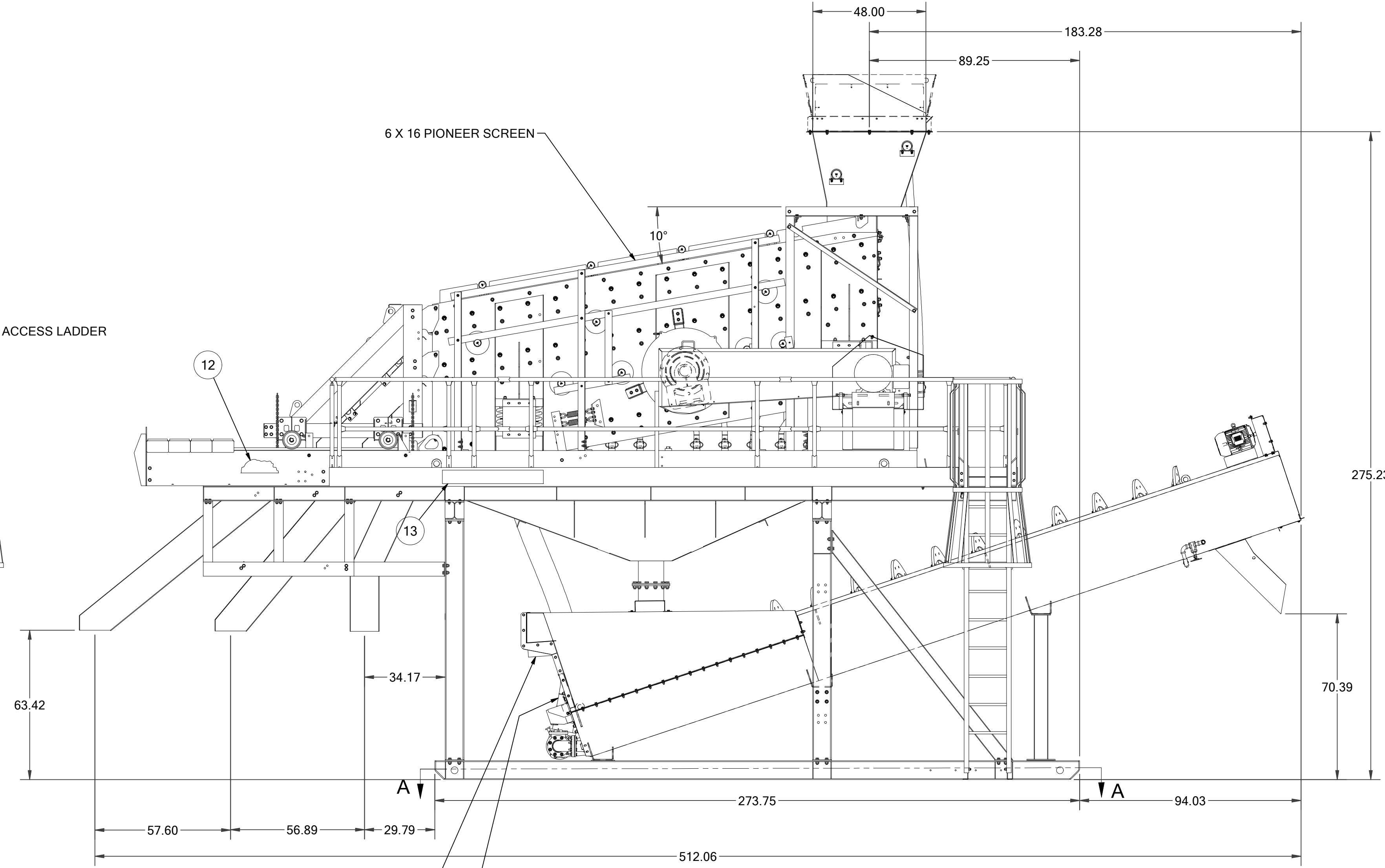
Approved by



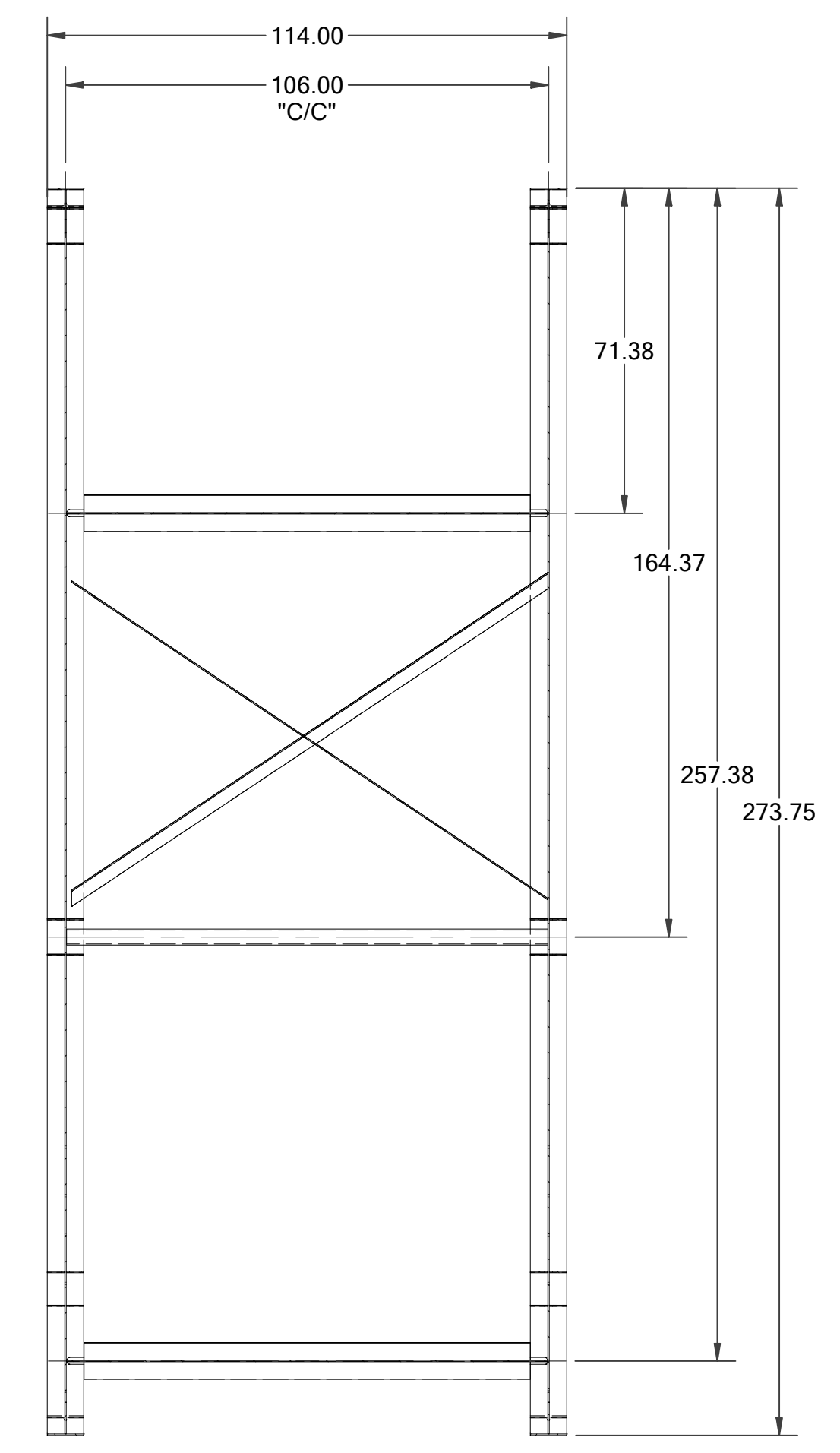
ITEM	PART NO.	QTY	DESCRIPTION	WEIGHT
1	557223	1	SKID SPRT STRUCT ASSEMBLY	7250
2	586921	1	WALKWAY ASSY; 6' x 16' SCREEN	4252
3	286145	1	Feed Box & Supt Assy 6X16 Scrn AR Lnrs	2267
4	128707	1	SP TO SCRNM MANIFOLD PLUMB ASSY	212
5	90325	1	3" MANF TO FEED BX PLUMBING ASSY	52
6	371219	14GL	PRIMER; TELEGRAY IV URETHANE	0
7	371218	5GL	URETHANE CATALYST	0
8	329318	68#	POWDER; KPI BEIGE	0
9	392154	15GL	PAINT; KPI BEIGE URETHANE	0
10	559054	1	SANDPREP; MODEL 5036-25T	15049
11	139014	1	SERIAL NUMBER PLATE	0
12	221578	2	DECAL; BUILT IN THE USA	0
13	519432	2	DECAL; KPI/JCI/AMS, 5.75 X 42.85	0
14	586925	1	Screen Assy. 6' X 16', 3-Deck	23019
15	586917	1	LADDER ASSY 17'-1/2", W/CAGE	324
16	586924	1	CHUTE, FLUME & LINER ASSY 6 X 16	5121
17	334242	1	Roll-Away Cart; 6' X 16' Screen	720



END ELEVATION SCALE 1/32



SIDE ELEVATION SCALE 1/32



FOUNDATION DETAIL

REFER TO SHEETS 2 THRU 7 FOR ASSEMBLY MARK NUMBERS

NOTICE: THIS PRINT IS THE PROPERTY OF KOLBERG-PIONEER, INC. AND IS SUBJECT TO RECALL AT ANY TIME, AND IS NOT TO BE USED IN ANY WAY DETRIMENTAL TO THEIR INTEREST.

WEIGHT	58264	TOLERANCES - UNLESS NOTED:	ANGULAR DIMENSIONS: ± 1° BETWEEN MACHINED SURFACES: ± 0.010" ALL OTHER DIMENSIONS: ± 0.00"
MATERIAL		TITLE	MODEL 1822 SKID PLANT
MODELED	ZDB 8/27/2019		6' X 16' PIONEER SCREEN, 36" TWIN SANDPREP
DRAWN	ZDB 9/4/2019	SCALE	SERIES 1800
			DRAWING NUMBER
			1/32
			420029
			SHEET 1
			7

KPI-JCI ASTEC COMPANIES KOLBERG-PIONEER, INC. 700 WEST 214th STREET P.O. BOX 80 YANKTON, SOUTH DAKOTA 57078